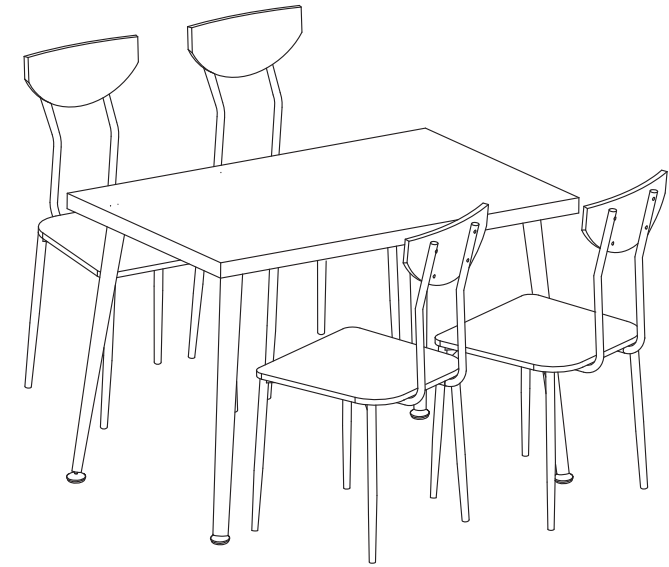


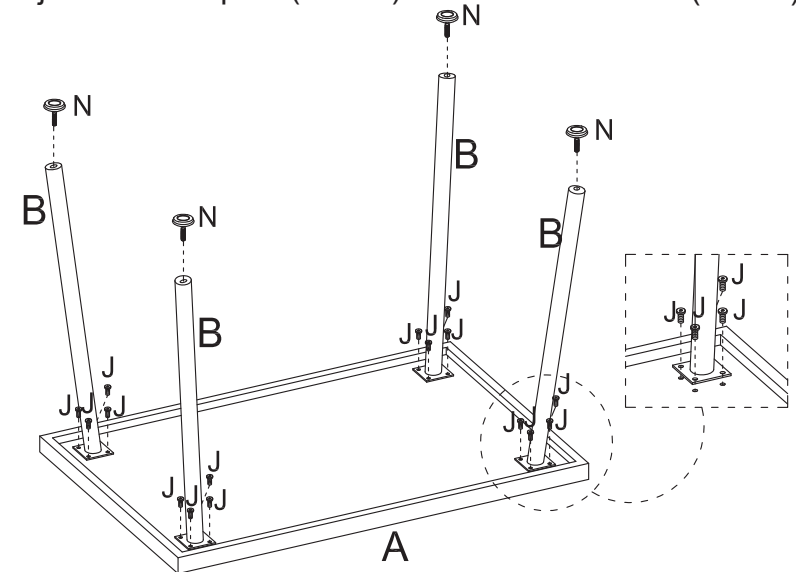
A		1PC	I		4PCS
B		4PCS	J	 M6×12mm	24PCS
C		4PCS	K	 M6×25mm	32PCS
D		4PCS	L	 M6×40mm	16PCS
E		4PCS	M	 M6×35mm	4PCS
F		4PCS	N		4PCS
G		4PCS	O	 4mm	1PC
			P		20PCS
H		4PCS	Q		1PC

ASSEMBLE INSTRUCTION

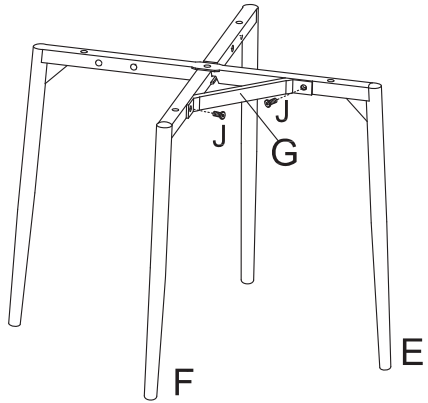
DO NOT TIGHTEN SCREWS UNTIL COMPLETELY ASSEMBLED



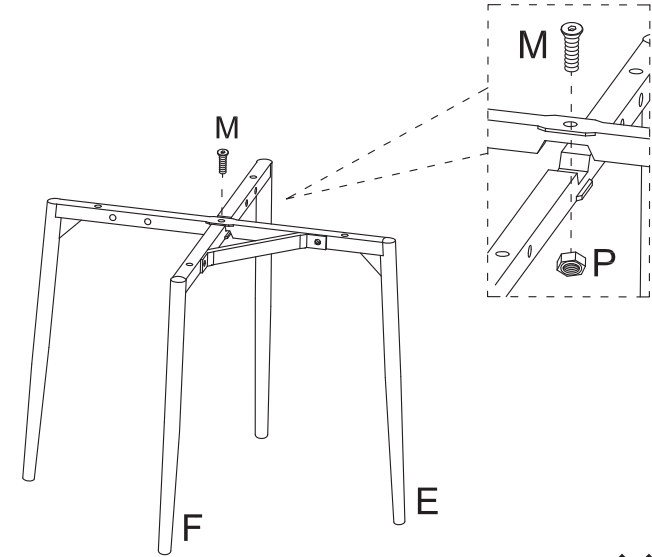
- 1** Step 1-Use screws(Part J)to connect table feet(Part B) to the table top(Part A)
Use adjustable foot pads(Part N)to connect table feet(Part B)



2 Step 2-Use screws(Part J) to connect cross-bars(Part G) and chair feet(Part E/F)

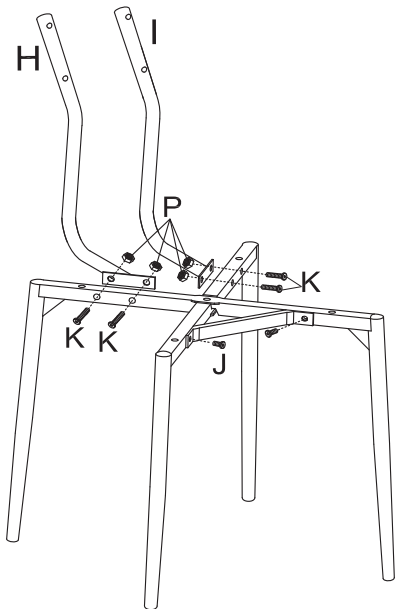


3 Step 3-Use screws(Part M/P)to connect chair feet(Part E/F)



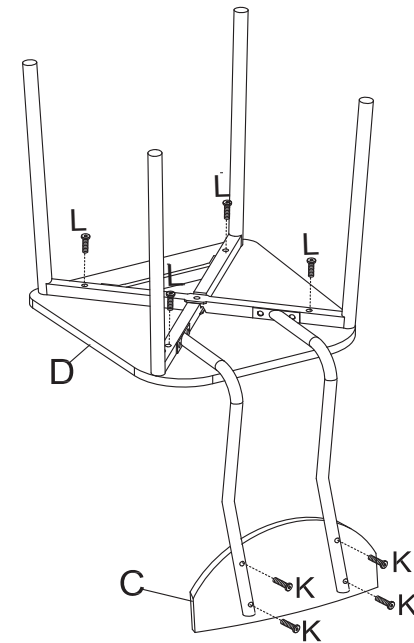
×4

4 Step 3-Use screws(Part P/K)to connect chair feet(Part E/F)and chair back (Part H/I)as a metal chair frame



×4

5 step 5-Use screws(Part L) to connect the chair metal frame to the chair seat(Part D)
-Use screws(Part K)to connect backrest(Part C) to the chair matel frame



×4